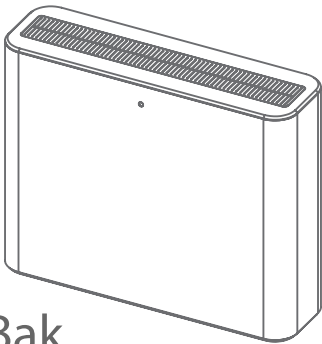


Hello.

Read me first!

FJ 1LSS



MagBak

Halo | Phone Sanitizer

Read this manual carefully before using this product. Also, refer to the manual of the device that will be used with this product to check for compatibility.

Product Specifications

Product Name	MagBak Halo
Model	MBHALO
Size (L x W x H)	≈ 195 x 56 x 155 (mm)
Weight	≈ 890g (31.4oz)
Input	12V $\overline{\text{---}}$ 3A
UV-C Range	260 - 280 (nm)

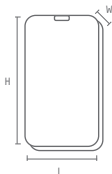


UV-C LIGHT HAZARD: Eye and skin damage may result from direct exposure to the light produced by the UV-C LEDs in this device. Never look at the UV-C LEDs when they are on, lit or illuminated. Suspend all device use if the top opening is missing or damaged.

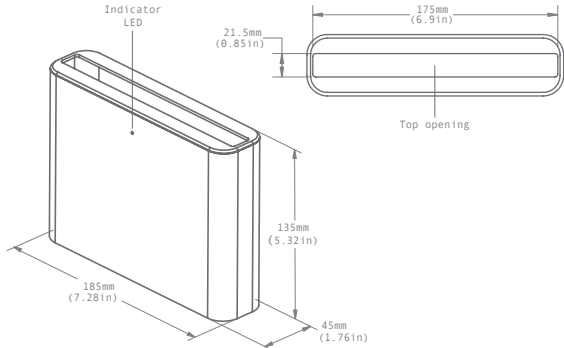
NOTE: The actual product specifications may differ due to manufacturing variability and other factors.

Compatibility

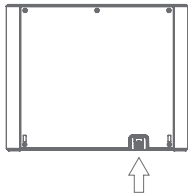
Compatible with mobile phones with maximum (L x W x H) dimensions of 81 mm x 18 mm x 171 mm and minimum (L x W x H) dimension of 32 mm x 5 mm x 51 mm.



Product Overview



Power



1

Use the supplied DC power adapter and plug it into connector located on the back side of Halo.

IMPORTANT: Use a DC power adapter that supplies 12V \cdot 3A. Using a different power adapter can cause damage.

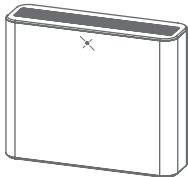


2

Plug the DC power adapter to the power outlet.

The Halo indicator LED will animate for a few seconds to show that Halo has powered on and is homing the tray position.

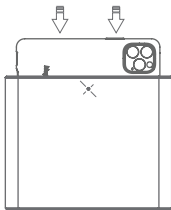
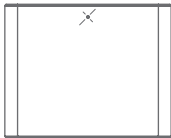
Once complete, the LED will turn off and remain off until a phone is inserted.



Sanitize

1

Insert the phone into Halo's top opening in landscape orientation. Halo will start the cleaning cycle automatically.

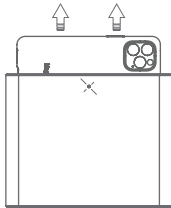


2

Halo fully lowers the phone inside and holds it for a few moments. During this time you will continue to see the indicator LED animate.

3

Once the phone is raised, wait until the indicator LED turns green. This shows that the cycle is complete and it is ok to take the phone.



Care & Use

Halo is not water resistant. Avoid placing it in areas with high humidity. Do not splash or submerge in water.

Clean Halo immediately if it comes into contact with any liquids or materials that may cause damage to the aluminum body or internal components.

- Unplug the 12V DC power adapter from Halo.
- Use a slightly damp lint-free cloth. A microfiber towel or lens cloth is ideal.
- Carefully wipe down Halo while avoiding openings and the power connector.
- Don't use cleaning products or abrasives as this may damage the aluminum finish.

Halo is designed to sanitize phones. Avoid sanitizing other objects which can cause permanent damage.



UV-C LIGHT HAZARD: Eye and skin damage may result from direct exposure to the light produced by the UV-C LEDs in this device. Never look at the UV-C LEDs when they are on, lit or illuminated. Suspend all device use if the top opening is missing or damaged.

Troubleshoot

Phone is not detected: This can happen if Halo's safety mechanism is triggered.

- Take out the phone.
- Wait until the indicator LED stops flashing and try again.

Phone does not eject: This may occur if the eject mechanism stalls.

- Unplug Halo's power cable.
- Carefully turn Halo upside down to let your phone slide out.
- Plug in Halo's power cable and try again.

Indicator LED flashes indefinitely: Halo can enter a lock state if an error condition is hit or if a safety mechanism is triggered. Got to halo.magbak.com/support to see the different indicator LED codes and their meaning.

Support

Use your phone's camera to scan the QR code to access additional Halo support resources online.

For help with all MagBak products visit support.magbak.com or email info@1ss.com.

Our support hours are Monday-Friday 9AM-5PM US Pacific Time.



Notes

This device complies with Part 15 of the FCC Rules. Operation is subject to the following two conditions: (1) this device may not cause harmful interference, and (2) this device must accept any interference received, including interference that may cause undesired operation. Changes or modifications not expressly approved by 1LSS INC. could void the user's authority to operate the equipment.

These limits are designed to provide reasonable protection against harmful interference in a residential installation. This equipment generates, uses and can radiate radio frequency energy and, if not installed and used in accordance with the instructions, may cause harmful interference to radio communications. However, there is no guarantee that interference will not occur in a particular installation. If this equipment does cause harmful interference to radio or television reception, which can be determined by turning the equipment off and on, the user is encouraged to try to correct the interference by one or more of the following measures:

- Reorient or relocate the receiving antenna.
- Increase the separation between the equipment and receiver.
- Connect the equipment into an outlet on a circuit different from that to which the receiver is connected.
- Consult the dealer or an experienced radio/TV technician for help.

California Prop. 65

WARNING: This product may contain chemicals known to the State of California to cause cancer and birth defects or other reproductive harm.

1LSS INC. will not be liable for any loss or damages arising from this product, whether direct, indirect, special, incidental or consequential, regardless of the theory asserted, including warranty, contract, negligence or strict liability.



RoHS



www.magbak.com | [support.magbak.com](mailto:info@1lss.com)
info@1lss.com

MagBak is a registered trademark of 1LSS INC.
All rights reserved.

Designed in California. Made in China.

1LSS INC.
Los Angeles, CA
United States